

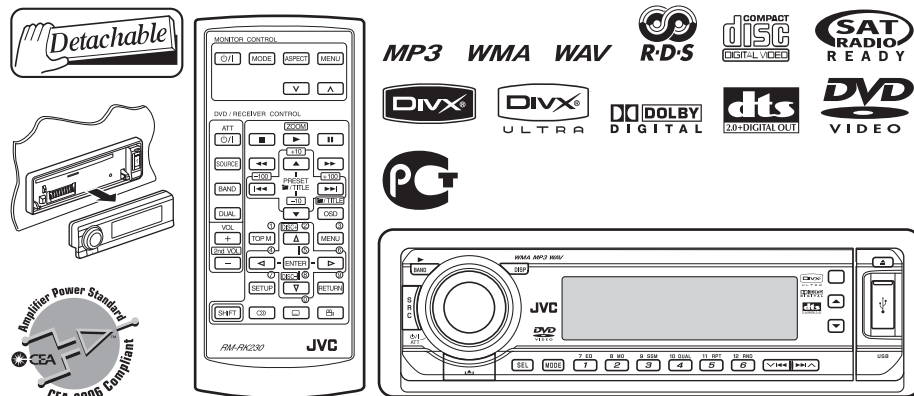
# JVC

## SCHEMATIC DIAGRAMS

### DVD/CD RECEIVER

**KD-ADV6270J, KD-DV6200J, KD-DV6201E  
KD-DV6201EU, KD-DV6202E, KD-DV6202EU  
KD-DV7205U, KD-DV7205UN, KD-DV7205UT  
KD-DV7205A, KD-DV7206U, KD-DV7206UN  
KD-DV7206UT, KD-DV7206A, KD-DV6207EE**

CD-ROM No.SML200603



Lead free solder used in the board (material : Sn-Ag-Cu, melting point : 219 Centigrade)

### Contents

Block diagram .....	2-1
Standard schematic diagrams .....	2-3
Printed circuit boards .....	2-17 to 20

## Safety precaution



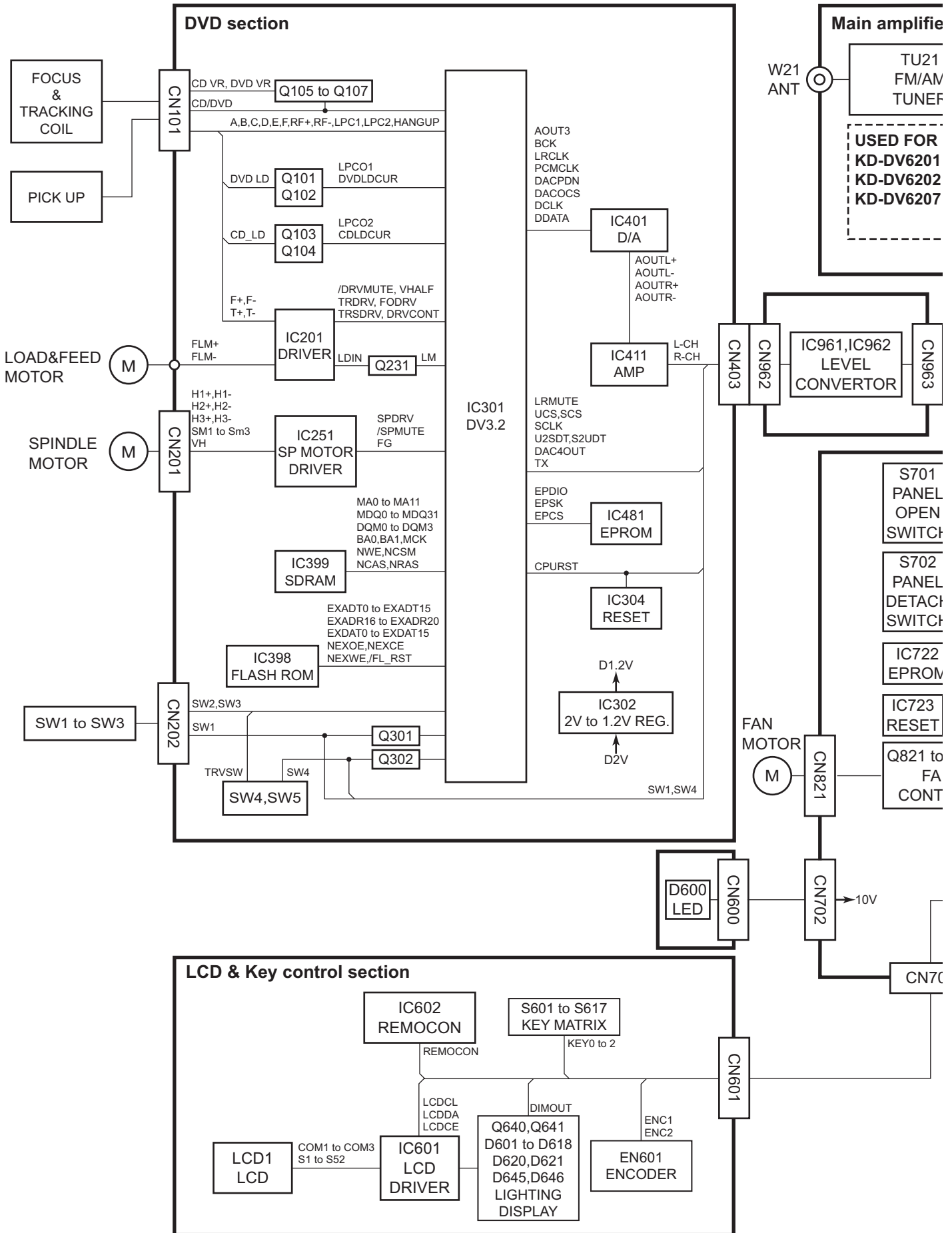
**CAUTION** Burrs formed during molding may be left over on some parts of the chassis. Therefore, pay attention to such burrs in the case of performing repair of this system.



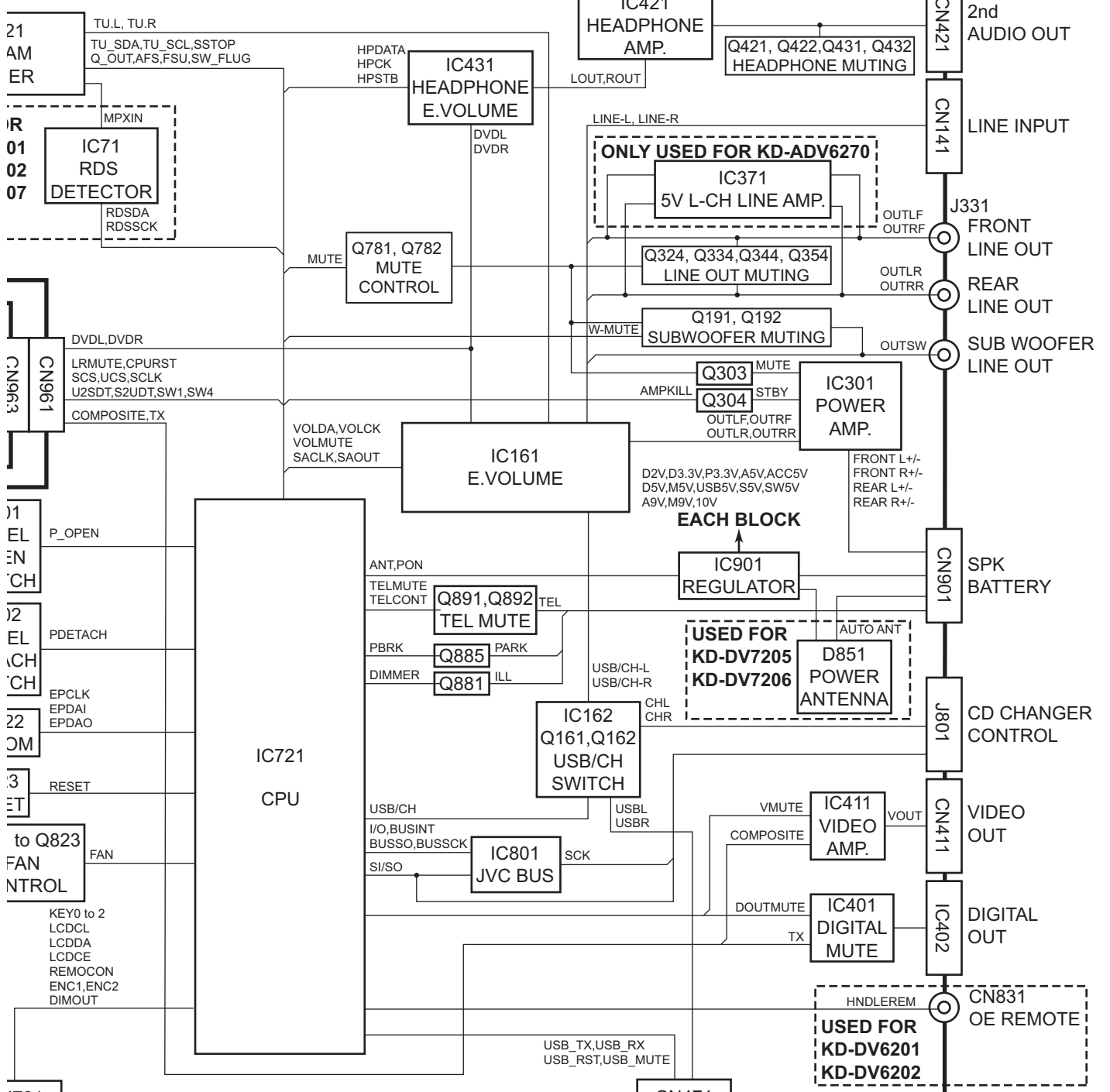
**CAUTION** Please use enough caution not to see the beam directly or touch it in case of an adjustment or operation check.

< MEMO >

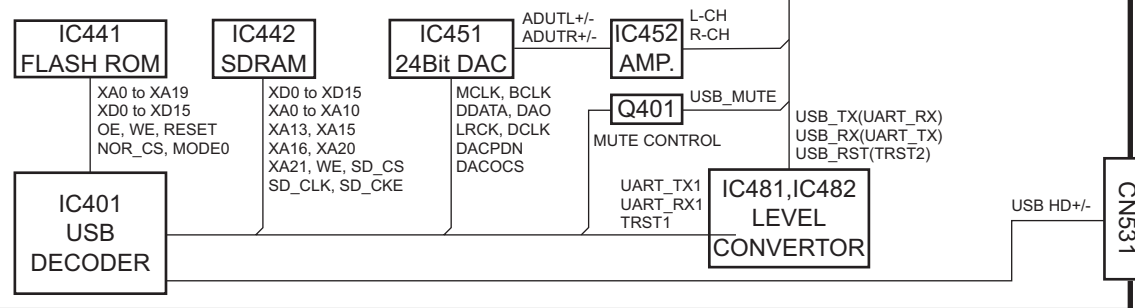
# Block diagram



**ifier section**

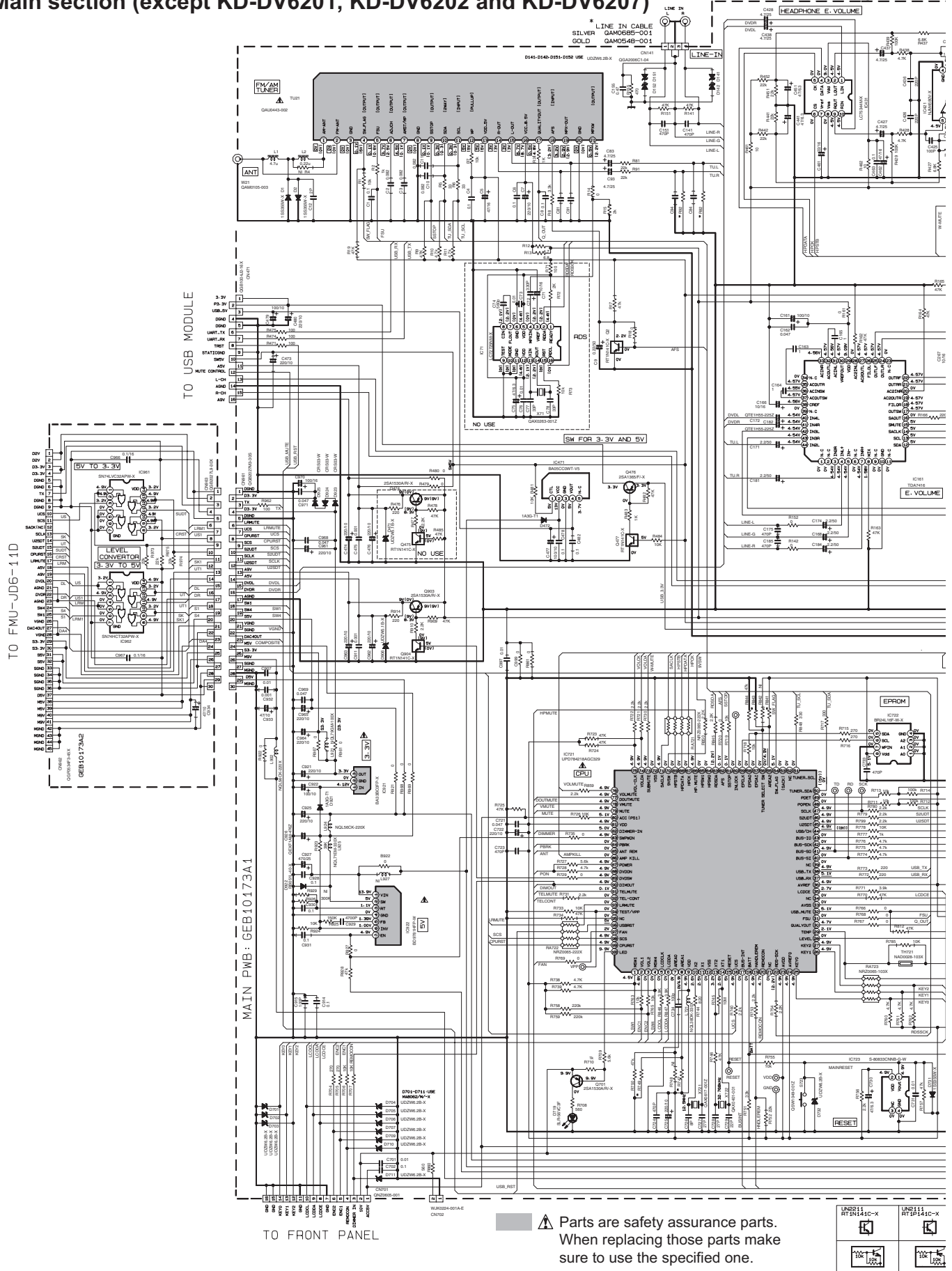


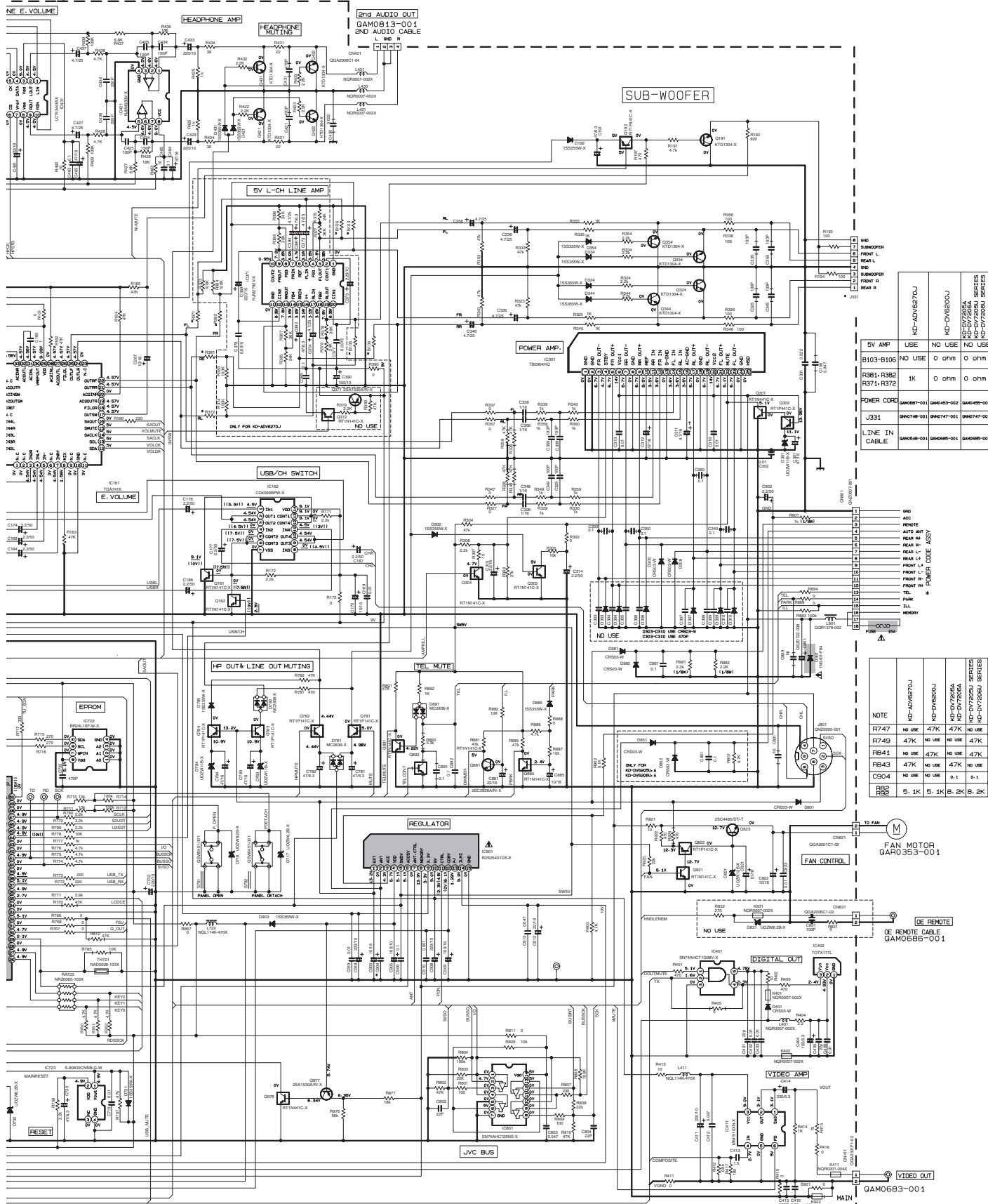
**USB section**



# Standard schematic diagrams

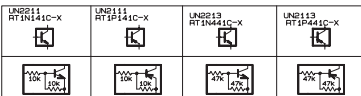
## ■ Main section (except KD-DV6201, KD-DV6202 and KD-DV6207)





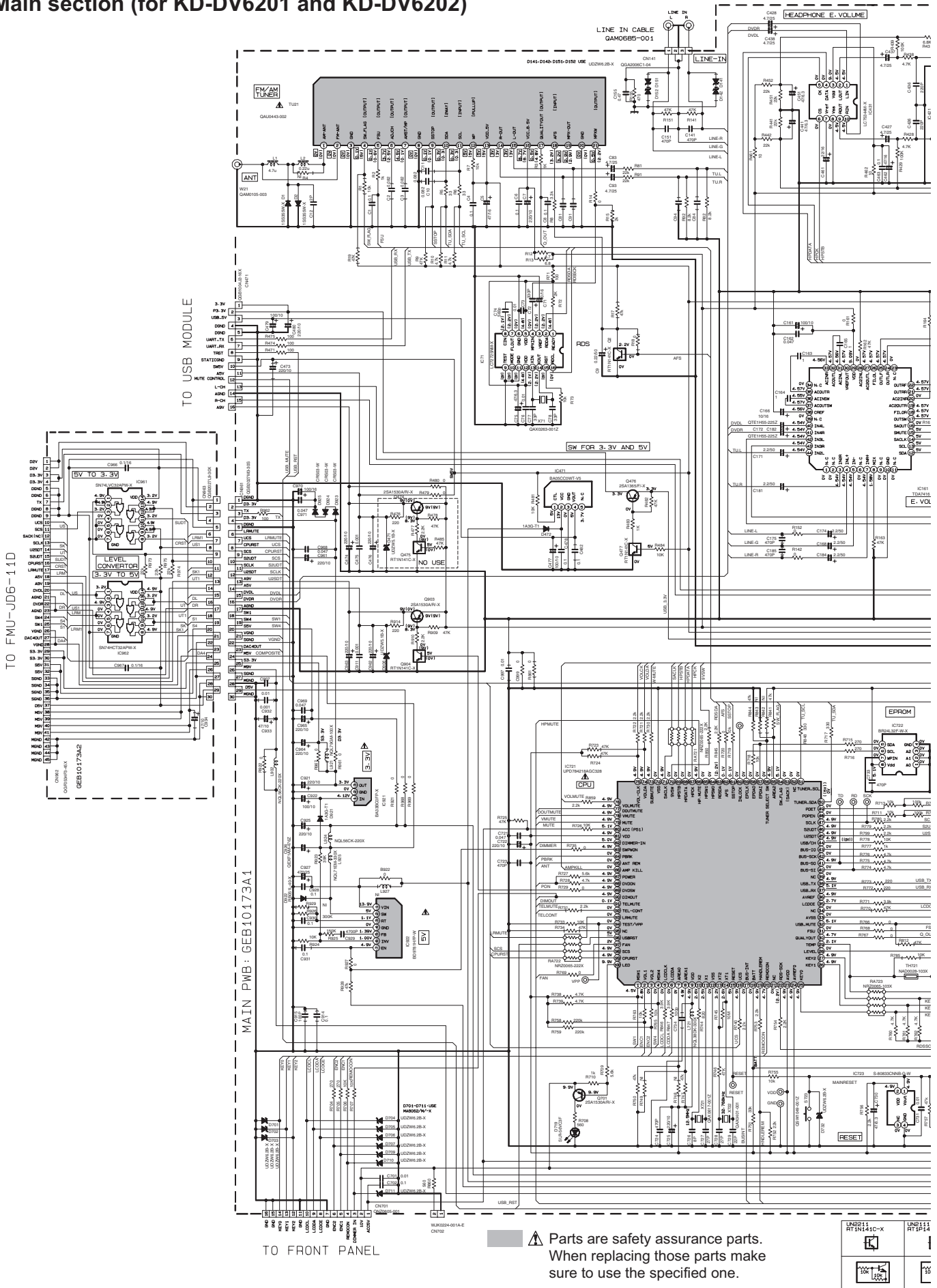
5V AMP	USE	NO USE	NO USE	NO USE
B103-B106	NO USE	0 ohm	0 ohm	0 ohm
R361-R362	NO USE	0 ohm	0 ohm	0 ohm
R371-R372	1K	0 ohm	0 ohm	0 ohm
POWER CODE	GAM067-01	GAM043-002	GAM045-002	
J331	GAM074B-001	GAM0747-001	GAM0747-001	
LINE IN CABLE	GAM054B-001	GAM0545-001	GAM0545-001	

NOTE	NO USE	NO USE	NO USE	NO USE	NO USE
R747	NO USE	47K	47K	NO USE	47K
R749	47K	NO USE	47K	NO USE	47K
RB41	NO USE	47K	NO USE	47K	NO USE
RB43	47K	NO USE	47K	NO USE	47K
CG04	NO USE	NO USE	0.1	0.1	0.1
RS2	5.1K	5.1K	B.2K	B.2K	B.2K

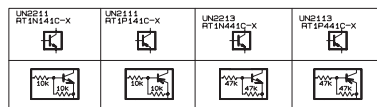
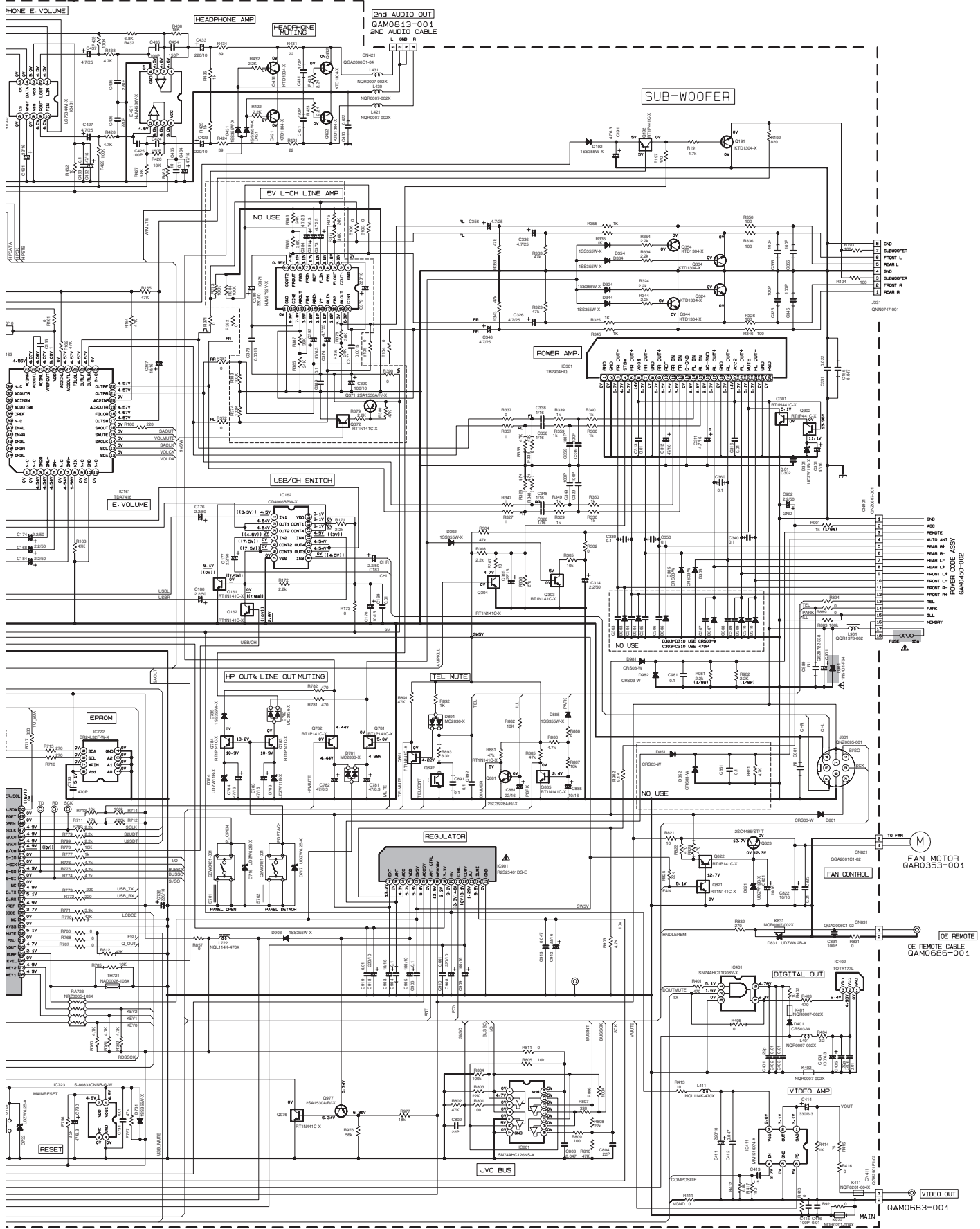


- NOTES
1. VOLTAGES ARE DC-MEASURED WITH A DIGITAL VOLT METER WITHOUT INPUT SIGNAL CONDITION --- DVD MODE ( ) FM MODE ( ) AM MODE ( ) CH MODE ( ) USB MODE
  2. UNLESS OTHERWISE SPECIFIED, ALL RESISTORS ARE 1/10W 1% METAL GLAZE RESISTOR. ALL CAPACITORS ARE 50V OR 25V CERAMIC CAPACITOR. ALL RESISTANCE VALUES ARE IN OHM. ALL CAPACITANCE VALUES ARE IN UF (PpF)
  3. ALL E. CAPACITORS ARE SHOWN IN THE FORM OF CAPACITANCE (UF)/RATED VOLTAGE (V)
  - F = FILM CAPACITOR
  3. NI STANDS FOR NOT MOUNTED PARTS

# ■ Main section (for KD-DV6201 and KD-DV6202)

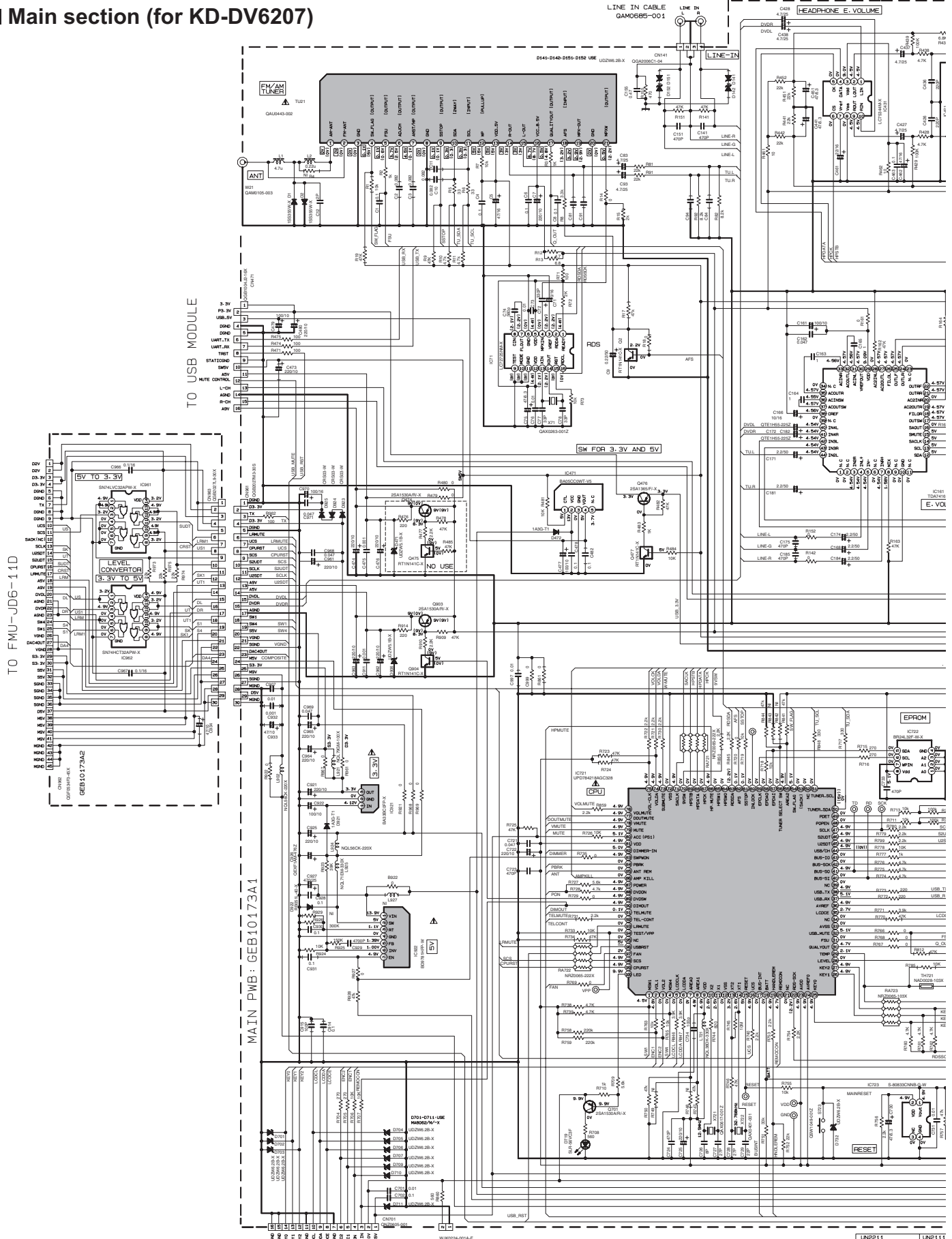






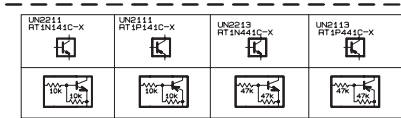
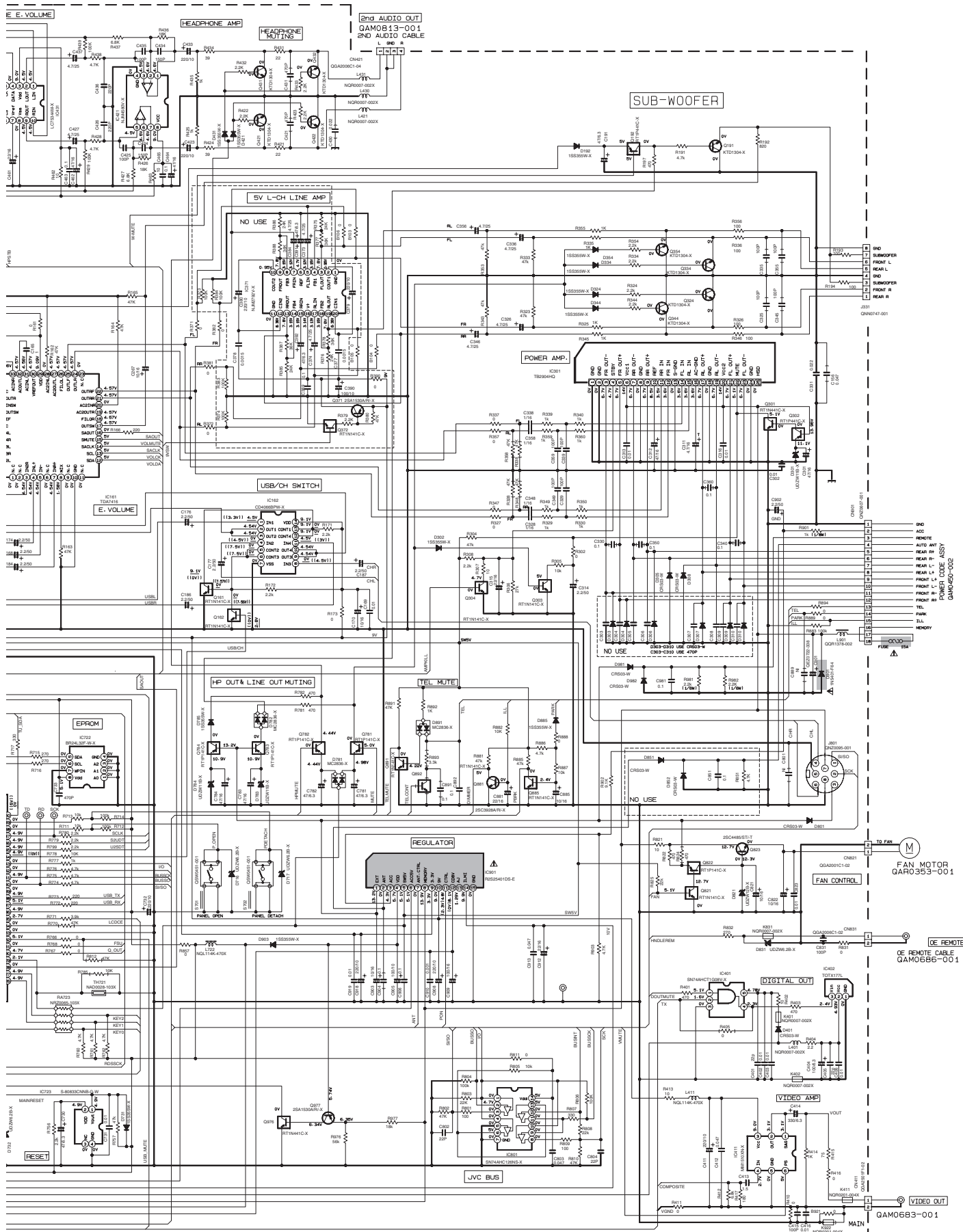
- NOTES
1. VOLTAGES ARE DC-MEASURED WITH A DIGITAL VOLT METER WITHOUT INPUT SIGNAL. CONDITION — DND MODE: ( ) FM MODE: [ ] AM MODE: ( [ ] ) CH MODE: — USB MODE.
  2. UNLESS OTHERWISE SPECIFIED, ALL RESISTORS ARE 1/10W 1% METAL GLAZE RESISTOR. ALL CAPACITORS ARE 50V OR 25V CERAMIC CAPACITOR. ALL CAPACITANCE VALUES ARE IN pF. ALL CAPACITANCE VALUES ARE SHOWN IN (uF)/(RATED VOLTAGE (V)). F — FILM CAPACITOR.
  3. NI STANDS FOR NOT MOUNTED PARTS.

■ Main section (for KD-DV6207)



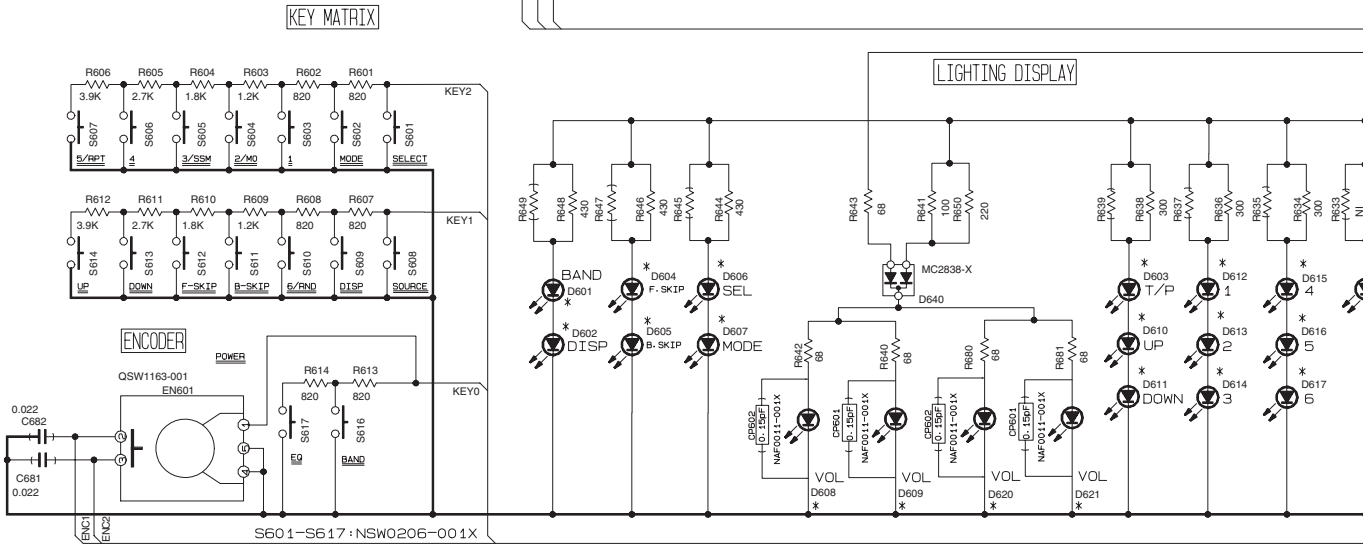
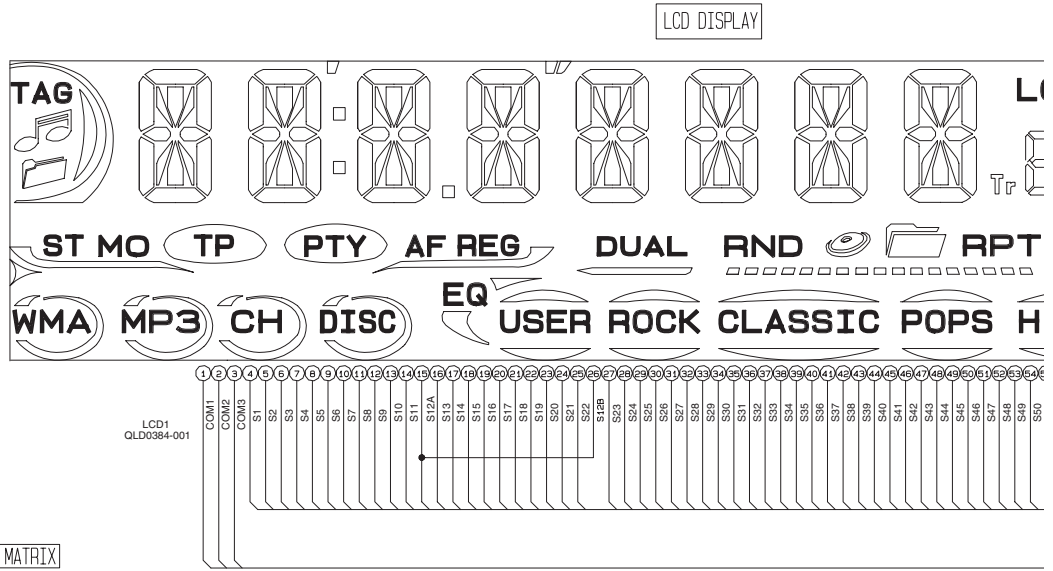
⚠ Parts are safety assurance parts.  
When replacing those parts make  
sure to use the specified one.

UN211 RT1N14C-X	UN211 RT1P14
10K	10K

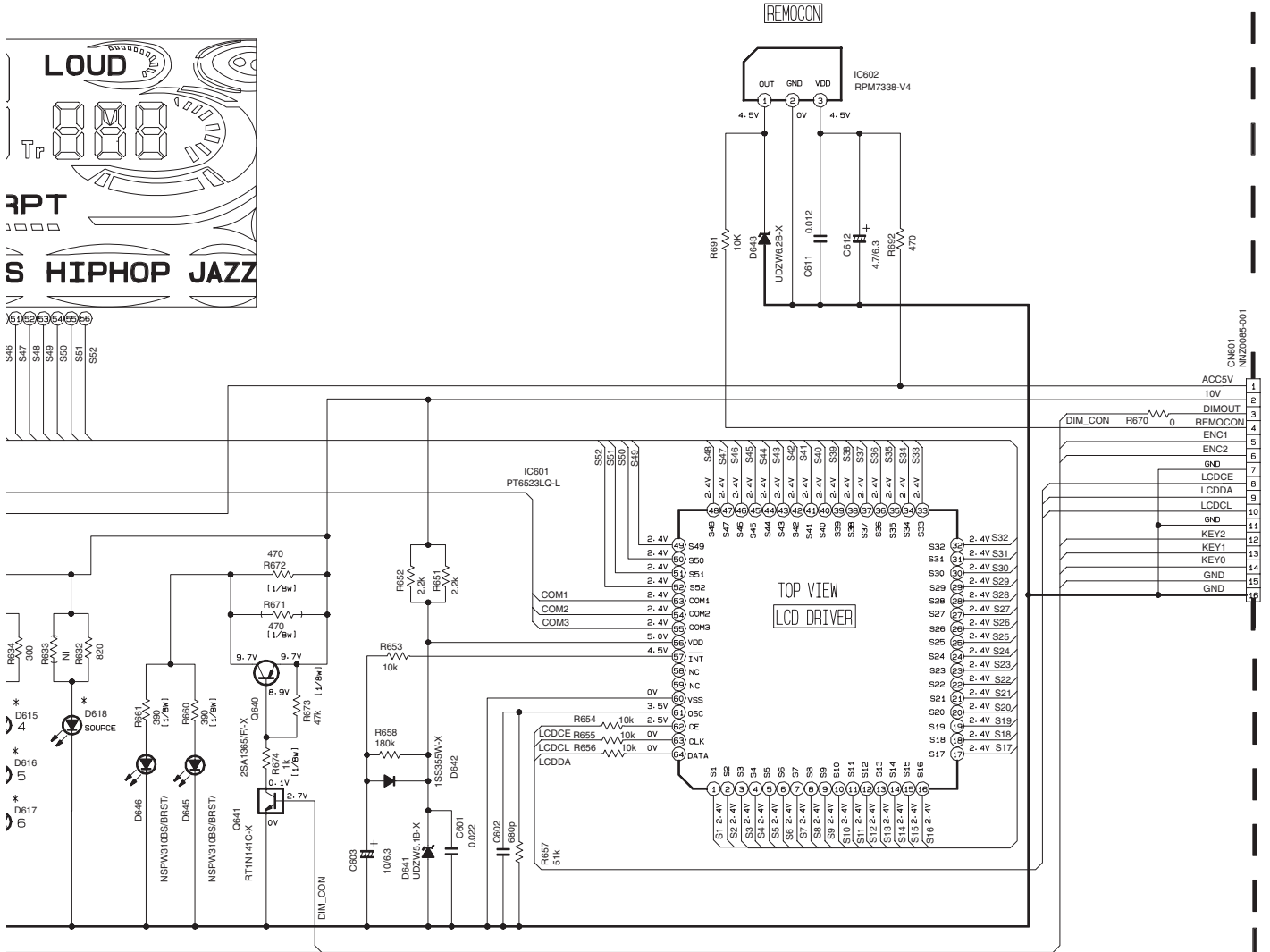
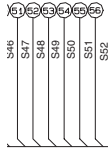
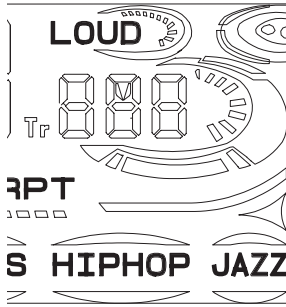


NOTES  
 1. VOLTAGES ARE DC-MEASURED WITH A DIGITAL VOLT METER WITHOUT INPUT SIGNAL. CONDITION --- DVD MODE.( ) FM MODE.( ) AM MODE.( ) CH MODE.--USB MODE  
 2. UNLESS OTHERWISE SPECIFIED, ALL RESISTORS ARE 1/10W ±5% METAL GLAZE RESISTOR. ALL CAPACITORS ARE 50V OR 25V CERAMIC CAPACITOR. ALL RESISTANCE VALUES ARE IN OHM. ALL CAPACITANCE VALUES ARE IN nF (pF) ALL E. CAPACITORS ARE SHOWN IN THE FORM OF CAPACITANCE (uF)/RATED VOLTAGE (V) F = FILM CAPACITOR  
 3. NT STANDS FOR NOT MOUNTED PARTS

# LCD & Key control section (except KD-DV6201 & KD-DV6202)



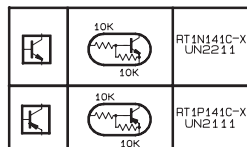
* REMARK	KD-ADV6271 KD-DV6200, KD-DV7; KD-DV71
D601 - D607 D610 - D617	LSQ9
D608 D620 D609 D621 D618	SML3



J-ADV6270J KD-DV7206A  
 D-DV6200J KD-DV7205A  
 KD-DV7205U SERIES  
 KD-DV7206U SERIES

LSQ971/KL/-X

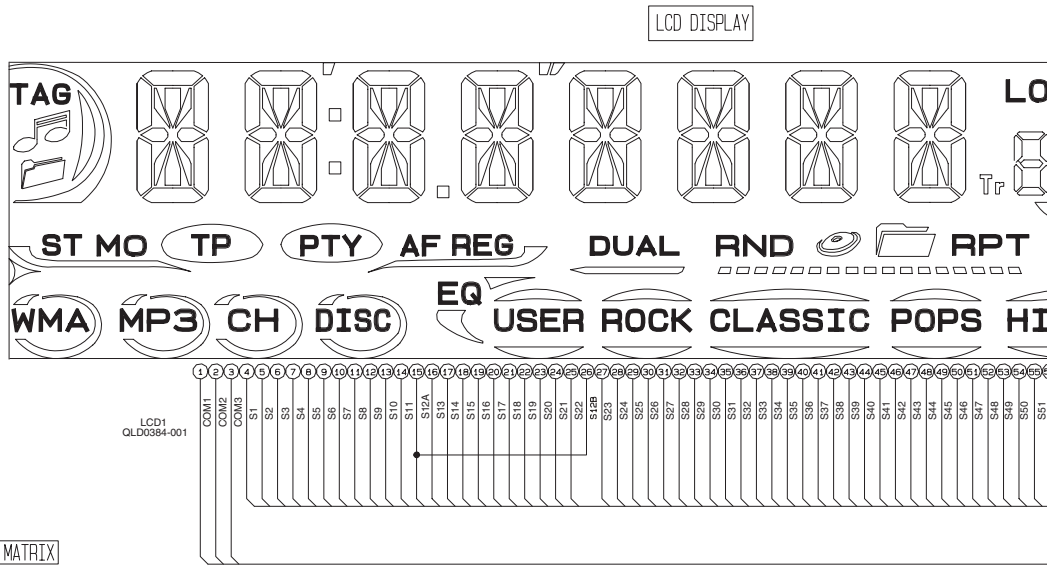
SML310BA1T/HJ-X



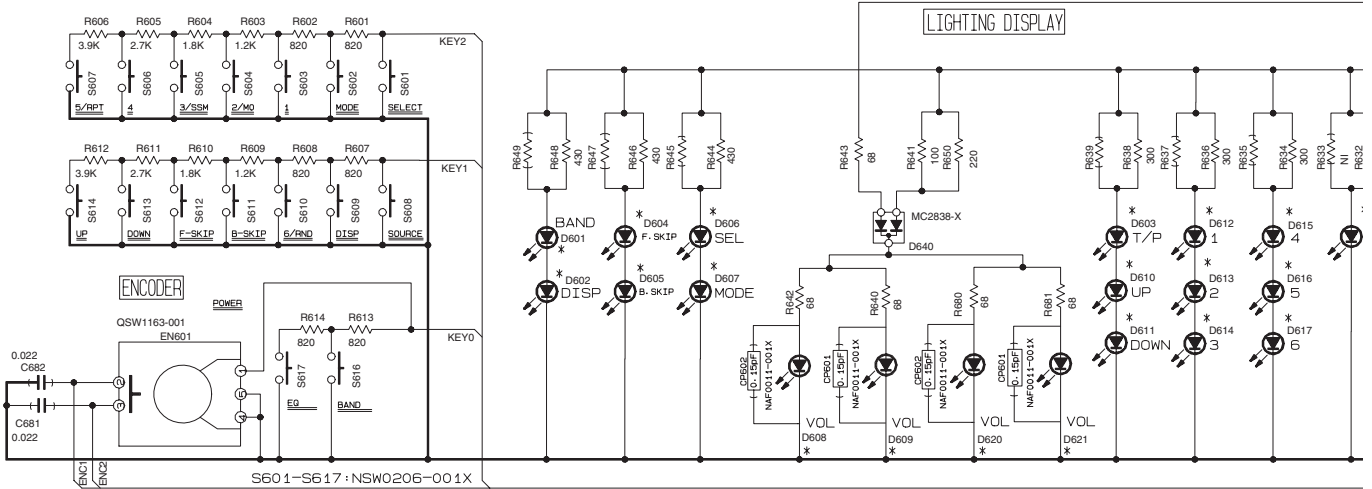
NOTES

- VOLTAGES ARE DC-MEASURED WITH A DIGITAL VOLT METER WITHOUT INPUT SIGNAL.
- UNLESS OTHERWISE SPECIFIED.  
 ALL RESISTORS ARE 1/16W METAL GLAZE RESISTORS.  
 ALL CAPACITORS ARE 50V OR 25V CERAMIC CAPACITOR.  
 ALL RESISTANCE VALUES ARE IN OHM.  
 ALL CAPACITANCE VALUES ARE IN uF (P=pF)  
 ALL E. CAPACITORS ARE SHOWN IN THE FORM OF CAPACITANCE(uF)/RATED VOLTAGE(V)  
 T --- TANTALUM CAPACITOR.
- COMPONENTS IN ( ) INDICATE NOT USE.

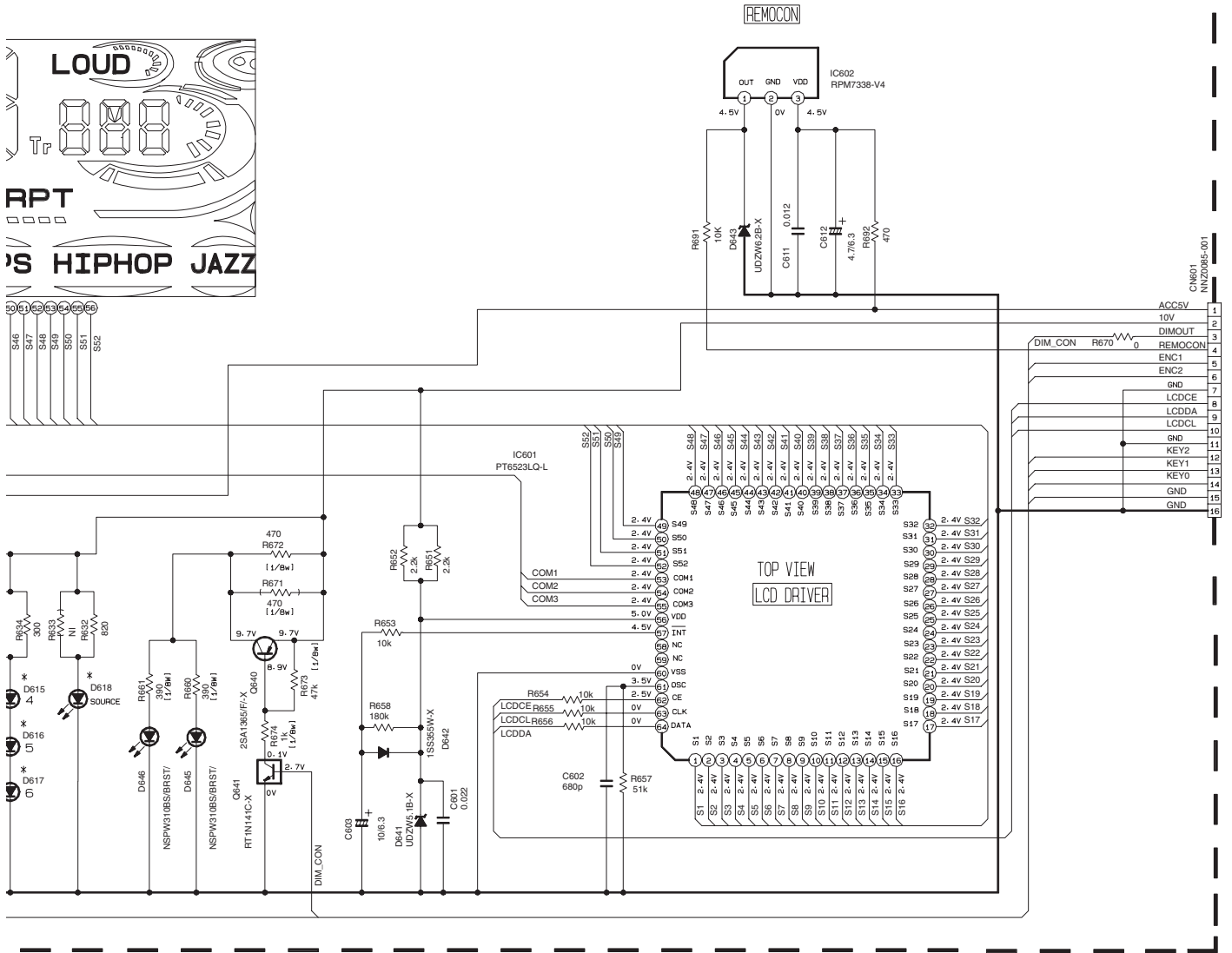
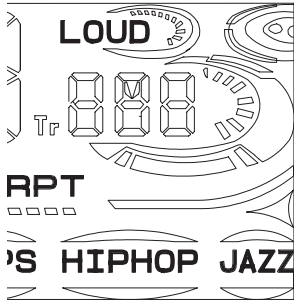
# LCD & Key control section (for KD-DV6201 & KD-DV6202)



KEY MATRIX



* REMARK	KD-DV6 KD-DV6
D601 - D607 D610 - D617	LSQ5
D608 D620 D609 D621 D618	SML3



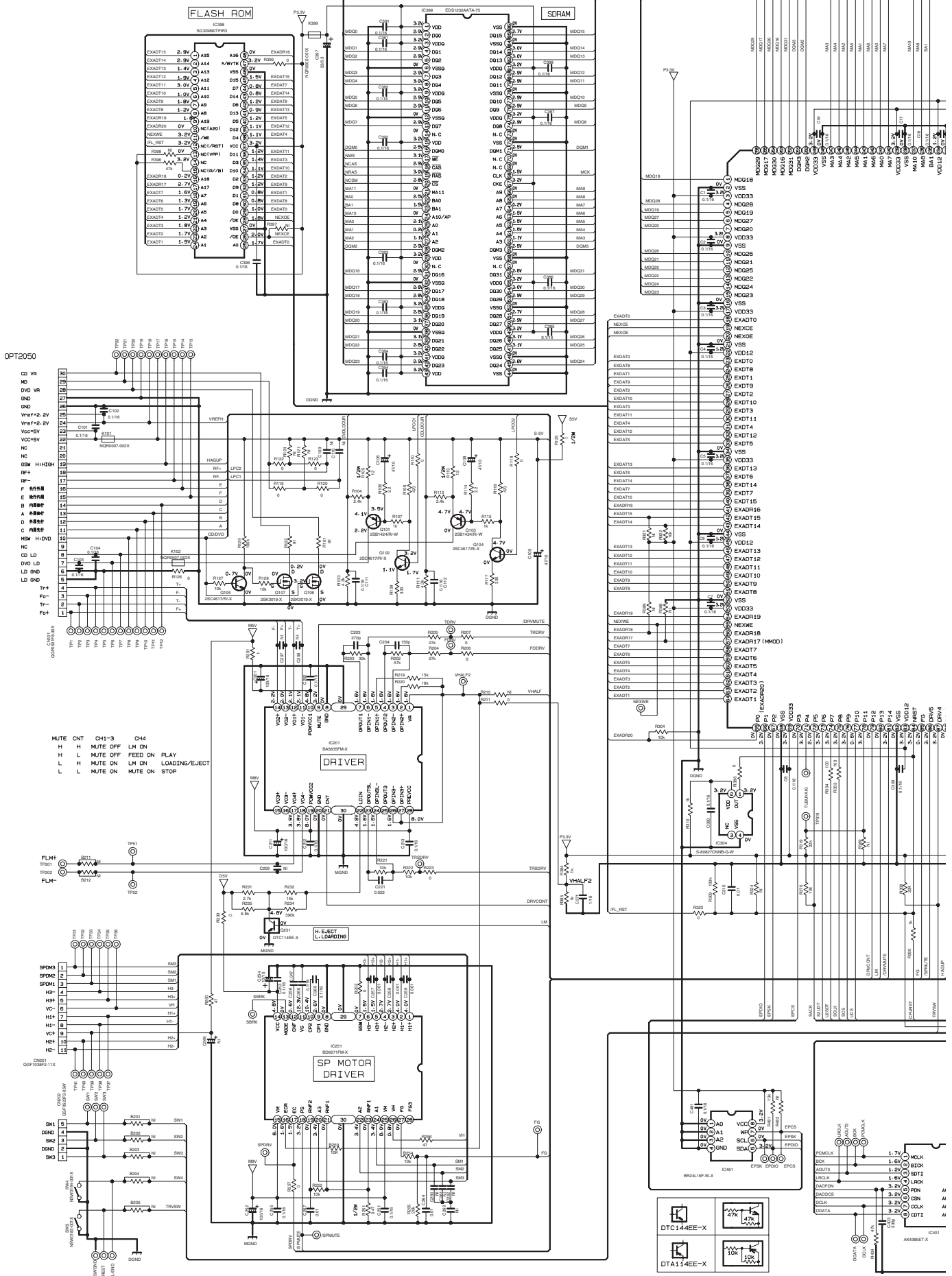
KD-DV6201E SERIES KD-DV6202E SERIES
LSQ971/KL/-X
SML310BA1T/HJ/-X

	10K	RT1N141C-X UN2111
	10K	RT1P141C-X UN2111

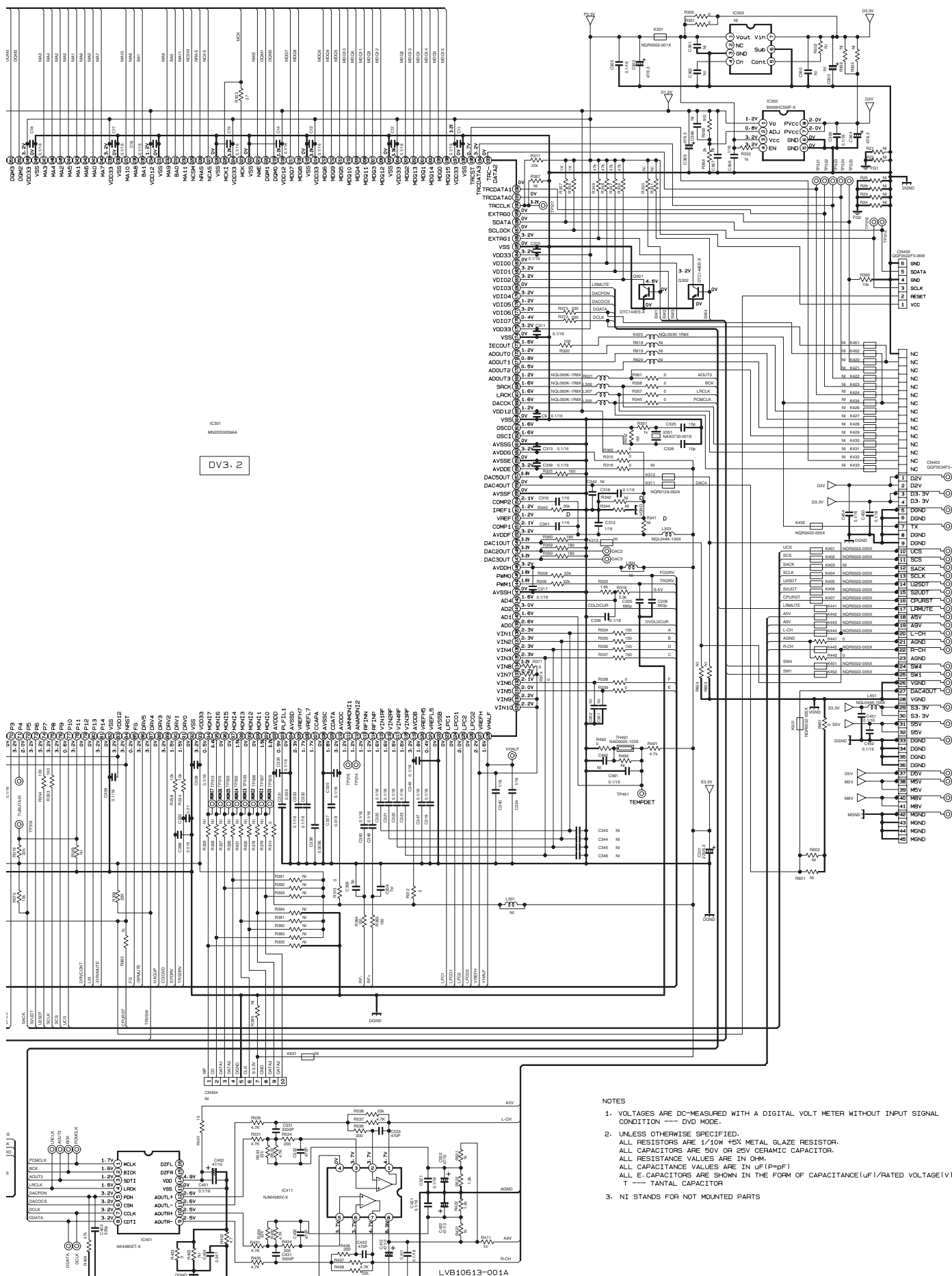
- NOTES
- VOLTAGES ARE DC-MEASURED WITH A DIGITAL VOLT METER WITHOUT INPUT SIGNAL.
  - UNLESS OTHERWISE SPECIFIED.  
ALL RESISTORS ARE 1/16W METAL GLAZE RESISTORS.  
ALL CAPACITORS ARE 50V OR 25V CERAMIC CAPACITOR.  
ALL RESISTANCE VALUES ARE IN OHM.  
ALL CAPACITANCE VALUES ARE IN uF (P=pF)  
ALL E. CAPACITORS ARE SHOWN IN THE FORM OF CAPACITANCE(uF)/RATED VOLTAGE(V)  
T --- TANTALUM CAPACITOR.
  - COMPONENTS IN ( ) INDICATE NOT USE.



# DVD control section (common)







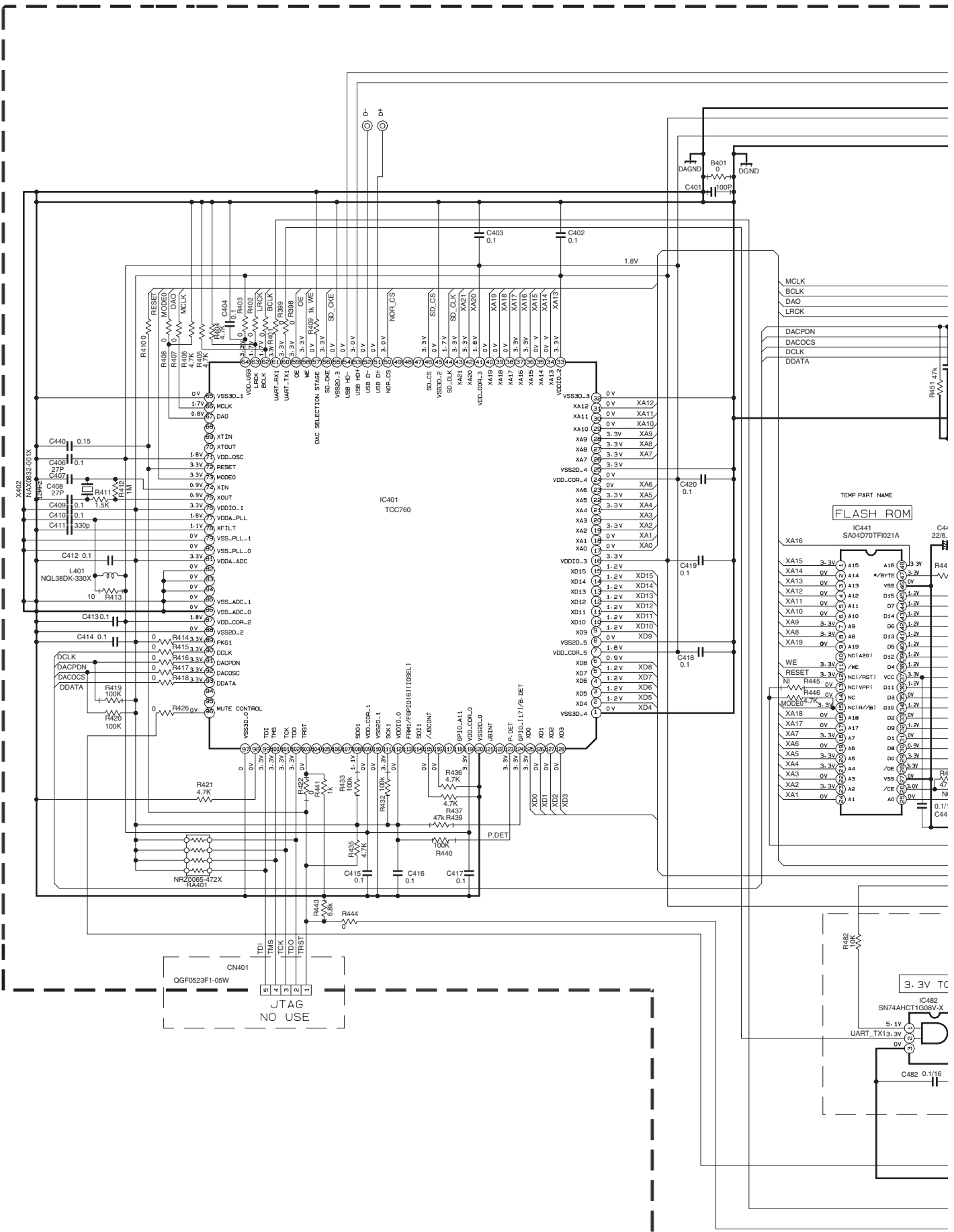
IC301  
M92500000AA  
DV3.2

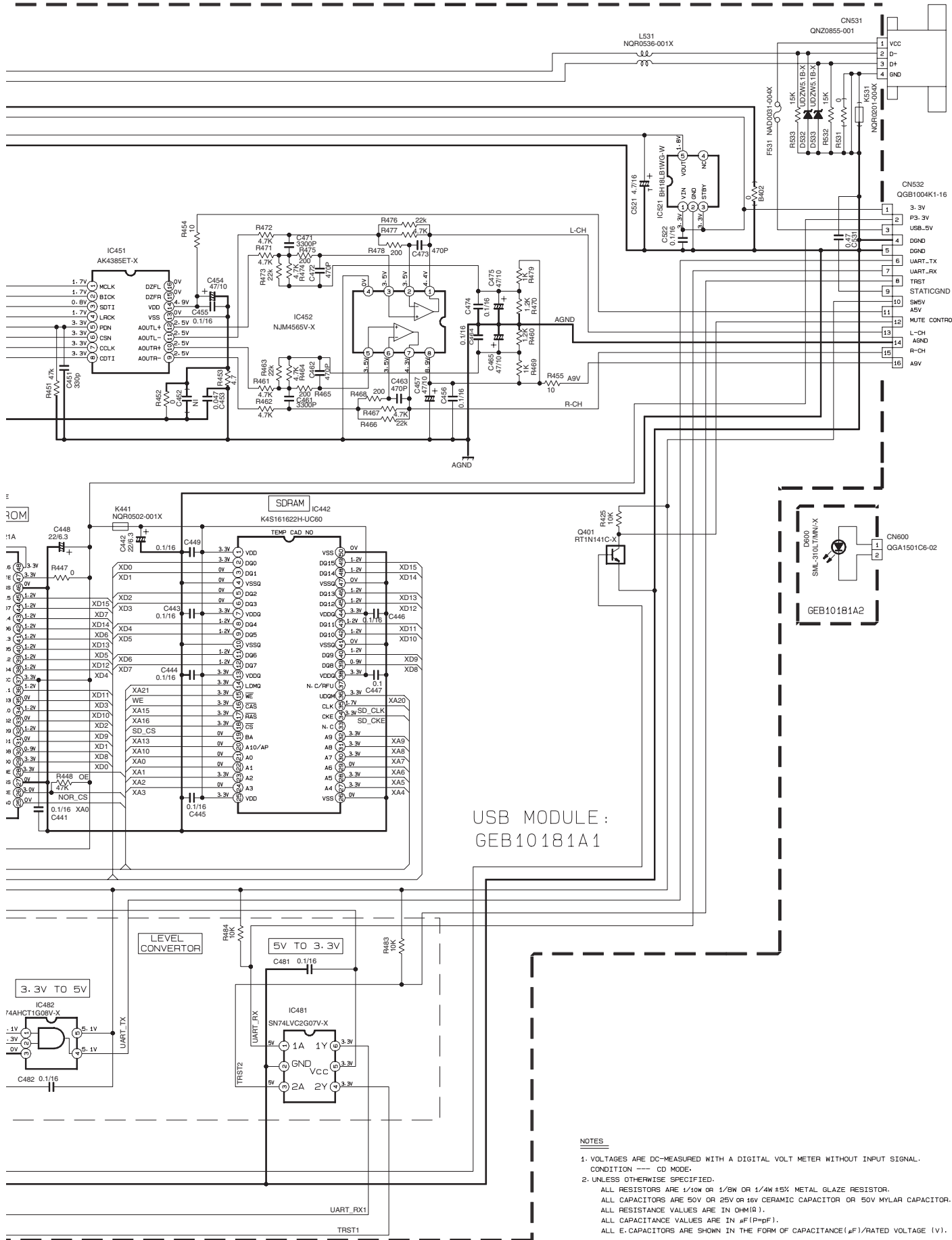
1	DEW	TP417
2	DEW	TP418
3	3.3V	TP419
4	3.3V	TP420
5	DEW	TP421
6	DEW	TP422
7	DEW	TP423
8	DEW	TP424
9	DEW	TP425
10	UCS	TP426
11	SCS	TP427
12	SCS	TP428
13	SCLK	TP429
14	USBDT	TP430
15	SCSDT	TP431
16	CPURST	TP432
17	LRMUTE	TP433
18	ASV	TP434
19	ASV	TP435
20	L-CH	TP436
21	ASND	TP437
22	R-CH	TP438
23	ASND	TP439
24	SR4	TP440
25	SW1	TP441
26	VGND	TP442
27	DACDOUT	TP443
28	VGND	TP444
29	3.3V	TP445
30	3.3V	TP446
31	DEW	TP447
32	DEW	TP448
33	DEW	TP449
34	DEW	TP450
35	DEW	TP451
36	DEW	TP452
37	DEW	TP453
38	DEW	TP454
39	DEW	TP455
40	DEW	TP456
41	DEW	TP457
42	DEW	TP458
43	DEW	TP459
44	DEW	TP460
45	DEW	TP461

- NOTES
1. VOLTAGES ARE DC-MEASURED WITH A DIGITAL VOLT METER WITHOUT INPUT SIGNAL CONDITION — DVD MODE.
  2. UNLESS OTHERWISE SPECIFIED, ALL RESISTORS ARE 1/10W ±5% METAL GLAZE RESISTOR. ALL CAPACITORS ARE 50V OR 25V CERAMIC CAPACITOR. ALL RESISTANCE VALUES ARE IN OHM. ALL CAPACITANCE VALUES ARE IN uF(PHF) ALL E-CAPACITORS ARE SHOWN IN THE FORM OF CAPACITANCE(uF)/RATED VOLTAGE(V) T — TANTAL CAPACITOR
  3. NI STANDS FOR NOT MOUNTED PARTS

LVB10613-001A

# USB module section (common)





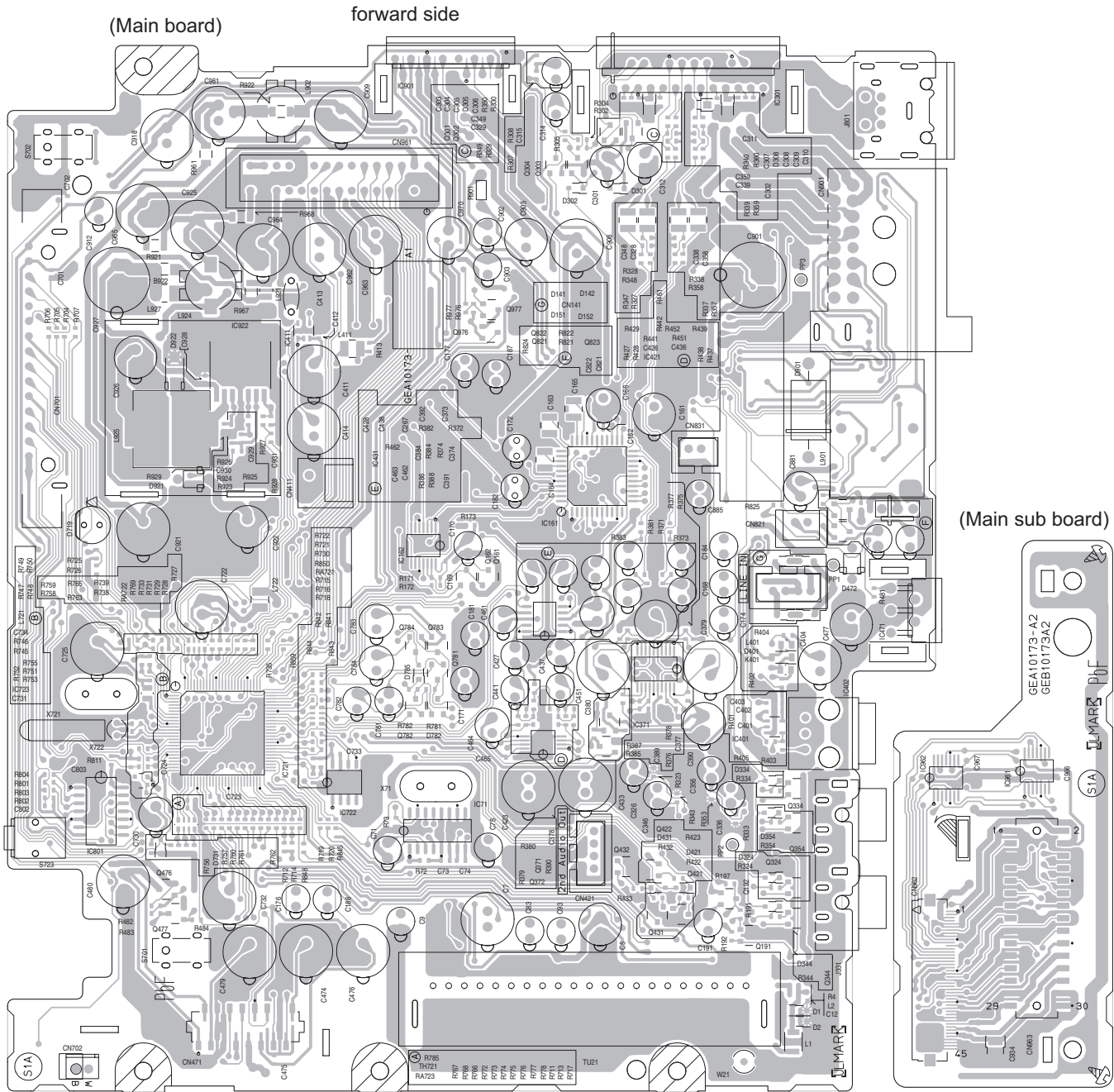
USB MODULE :  
GEB10181A1

**NOTES**

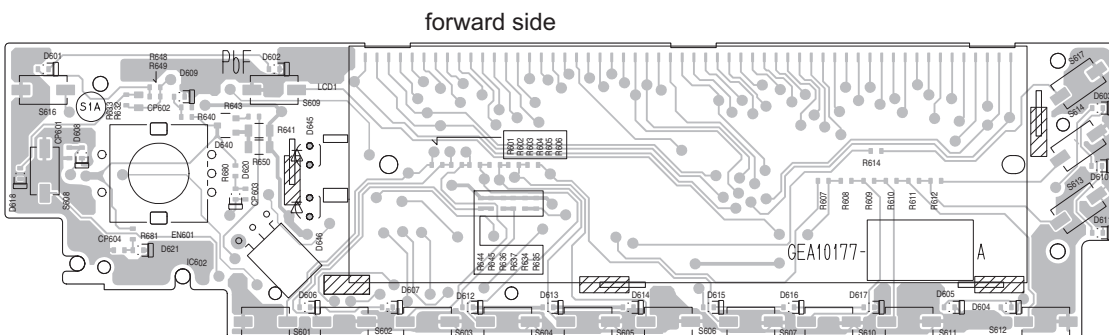
1. VOLTAGES ARE DC-MEASURED WITH A DIGITAL VOLT METER WITHOUT INPUT SIGNAL. CONDITION --- CD MODE.
2. UNLESS OTHERWISE SPECIFIED:  
 ALL RESISTORS ARE 1/10W OR 1/8W OR 1/4W ±5% METAL GLAZE RESISTOR.  
 ALL CAPACITORS ARE 50V OR 25V OR 16V CERAMIC CAPACITOR OR 50V MYLAR CAPACITOR.  
 ALL RESISTANCE VALUES ARE IN Ω(MΩ).  
 ALL CAPACITANCE VALUES ARE IN μF(P=pF).  
 ALL E-CAPACITORS ARE SHOWN IN THE FORM OF CAPACITANCE(μF)/RATED VOLTAGE (V).

# Printed circuit boards

■ **Main board** Lead free solder used in the board (material : Sn-Ag-Cu, melting point : 219 Centigrade)

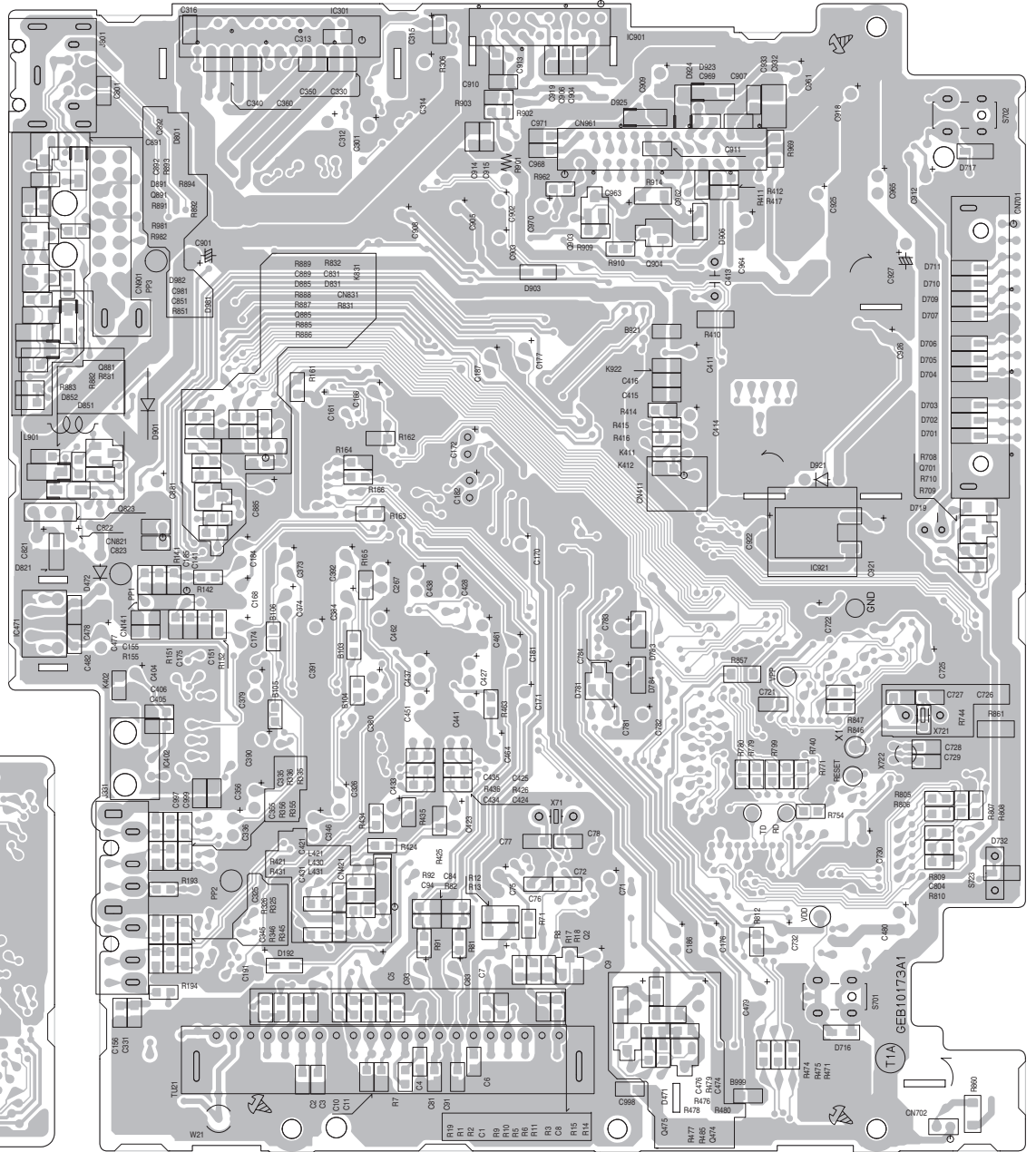


■ **Switch board** Lead free solder used in the board (material : Sn-Ag-Cu, melting point : 219 Centigrade)

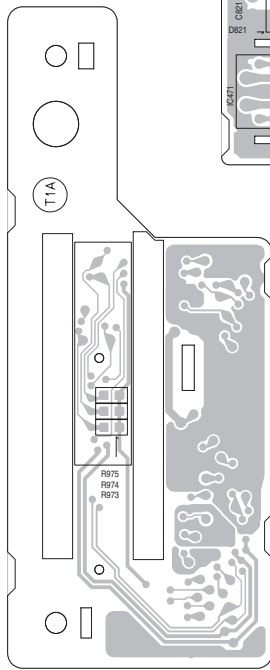


(Main board)

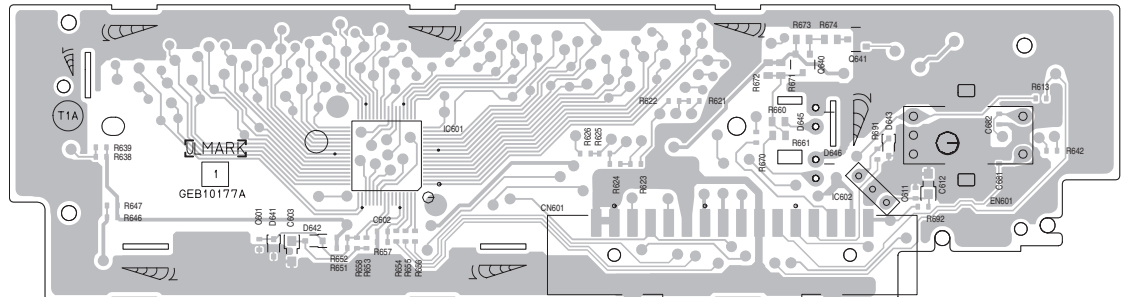
reverse side



(Main sub board)

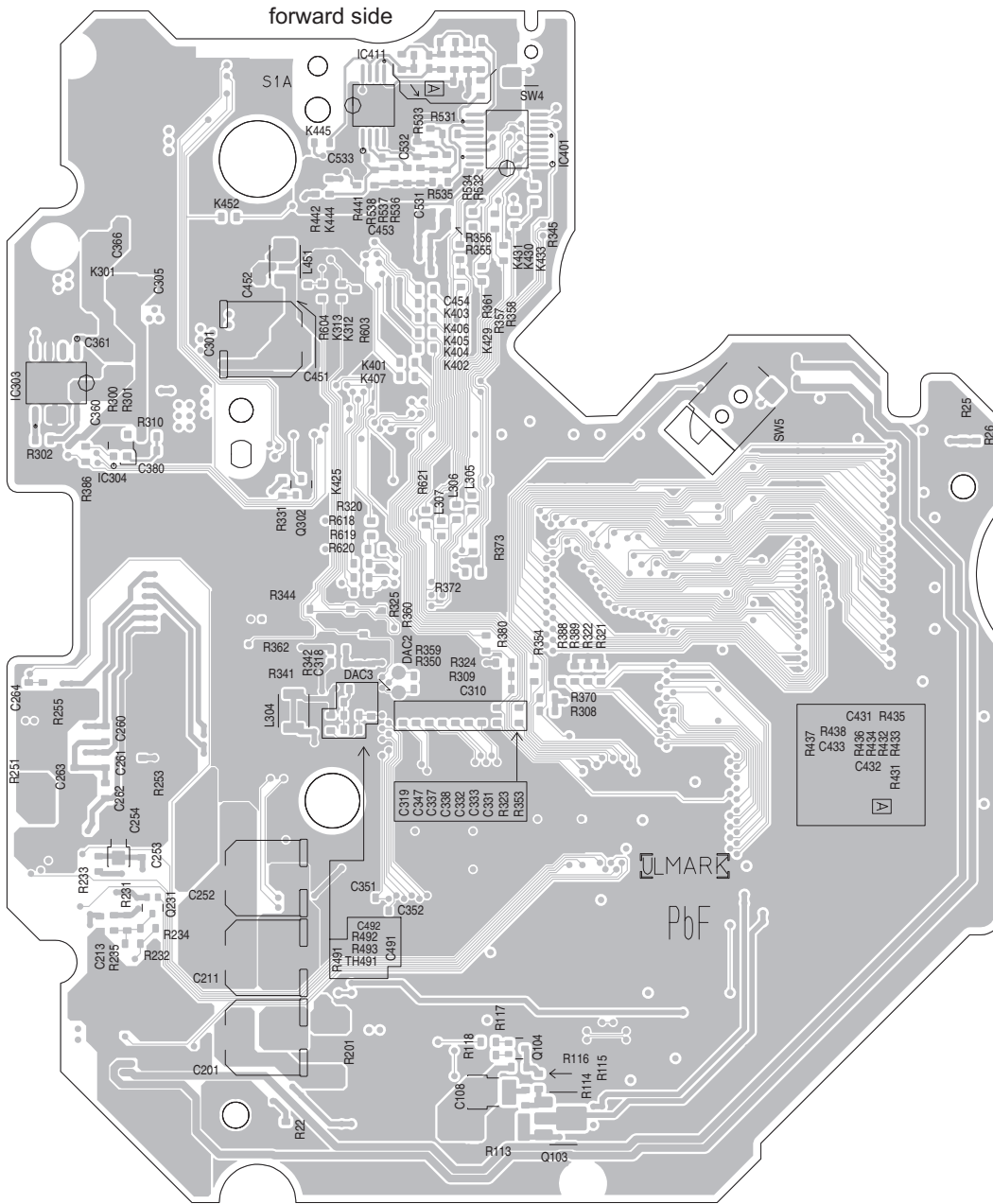


reverse side

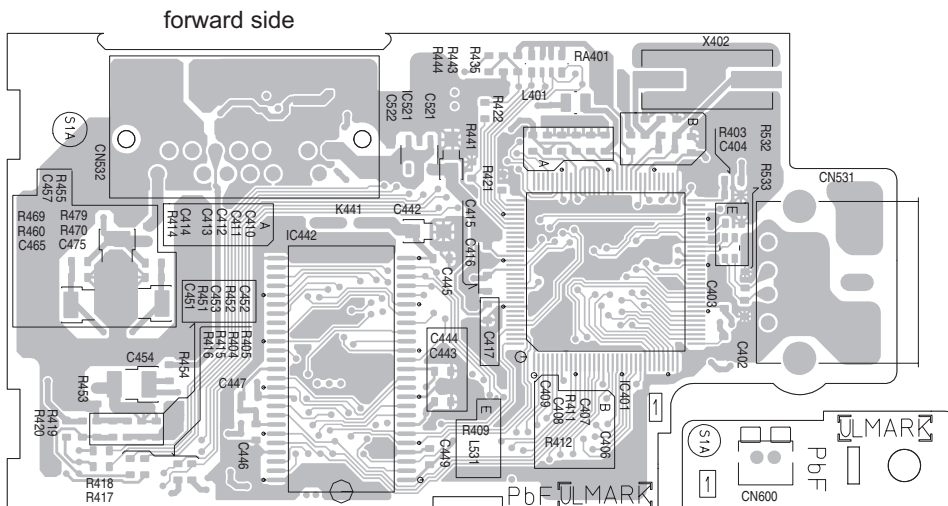




■ **DVD module board** Lead free solder used in the board (material : Sn-Ag-Cu, melting point : 219 Centigrade)



■ **USB module board** Lead free solder used in the board (material : Sn-Ag-Cu, melting point : 219 Centigrade)





**JVC**

**Victor Company of Japan, Limited**

Mobile Entertainment Business Group Mobile Entertainment Category 10-1, 1chome, Ohwatari-machi, Maebashi-city, Gumma-ken, 371-8543, Japan

(No.MA250SCH)



Printed in Japan  
VPT